

*Due to demand, prices may change without notice



Intelligent Lubrication Solutions®

To Get the BPAA Discounted Price Contact Mark Doering

920-831-8875

mdoering@uslube.com

See the Safety Data Sheet for more details
(starting on page 2)



HS100 Hand Sanitizer - \$22.00 each

- Gallon size only
- 80% alcohol
- 4 gallons per case--orders must be in full case quantities
- Product ships FOB in Valparaiso, IN



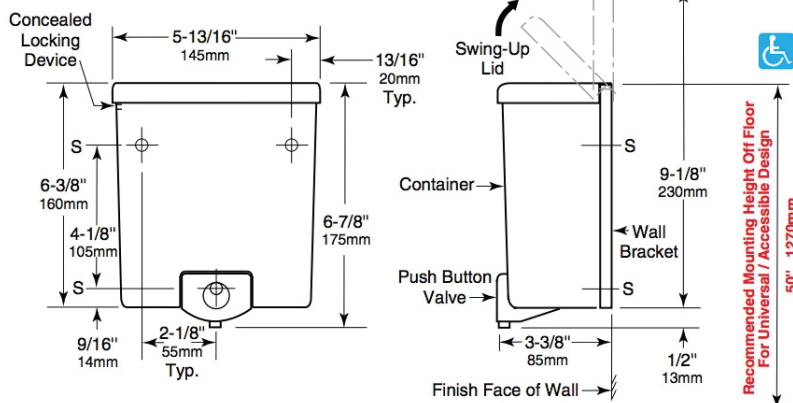
Hand Sanitizer Pump Included



Wall dispensers - \$29.00 each


- Dispenser holds up to 40 oz. of hand sanitizer
- Wall mounted dispenser for hand sanitizer or hand soap
- Installs easily and is top filling with push-in corrosion resistant valve

**All orders will go directly through US Lubricants
Credit card payments will be accepted
(American Express not accepted)**



U.S. Lubricants is a division of U.S. Venture, Inc., a privately owned leader in the distribution of fuels, passenger and commercial vehicles tires, parts and lubricants. Founded in 1951, U.S. Venture is headquartered in Appleton, WI, with over \$9 billion in sales and more than 2,500 dedicated associates. U.S. Lubricants is a market leader in the manufacturing and distribution of lubricants in the United States. They provide the very best value-adding lubrication solutions to all of their customers in the automotive, commercial/heavy duty and industrial segments.

| 1. IDENTIFICATION OF THE SUBSTANCE/MIXTURE AND THE COMPANY/SUPPLIER | |
|--|--|
| Product Identifier: | HS100 |
| <i>Other Means of Identification:</i> | Hand Sanitizer – 80% active alcohol |
| <i>Manufacturer's Name:</i> | U.S. Lubricants |
| <i>Manufacturer's Address:</i> | 425 Better Way Appleton, WI 54915 USA |
| <i>24-HOUR Emergency Telephone Number:</i> | 1-800-490-4900 (24 hours / 7 days a week) |
| <i>Recommended Use:</i> | Hand Sanitizer – 80% active alcohol |
| <i>Restrictions on Use:</i> | None. |

| 2. HAZARDS IDENTIFICATION | |
|--|---|
| <u>CLASSIFICATION</u> | |
| <i>Physical Hazards:</i> | Flammable Liquid – Cat. 2 |
| <i>Health Hazards:</i> | Eye Damage – Cat. 2 |
| <i>Environmental Hazards:</i> | None. |
| <u>LABELING</u> | |
| <i>Signal Word:</i> | Danger |
| <i>Hazard Statements:</i> | Causes serious eye damage. Highly flammable liquid and vapor. |
| <i>Symbols/Pictograms:</i> |  |
| <u>PRECAUTIONARY STATEMENTS</u> | |
| <u>PREVENTION</u> | |

Keep away from heat, hot surfaces, sparks, open flames, and other ignition sources. No smoking.
Keep container tightly closed.
Ground and bond container and receiving equipment.
Use explosion proof equipment.
Use non-sparking tools.
Take-action to prevent static discharge.
Wash hands thoroughly after handling.
Wear protective eye and face protection.

RESPONSE

IF ON SKIN (or hair): Take off immediately all contaminated clothing. Rinse skin with water or shower.
In case of fire, use dry chemical to extinguish.
IF IN EYES: Rinse cautiously with water for several minutes. Remove contacts in present and easy to do.
Continue rinsing.
If eye irritation persists: get medical attention or advice.

STORAGE

Store in a well-ventilated place. Keep cool.

DISPOSAL

Dispose of contents in accordance with local/regional/ national regulations

3. COMPOSITION/INFORMATION ON INGREDIENTS

COMPOSITION INFORMATION

| <u>Chemical Component</u> | <u>CAS Registry Number</u> | <u>Concentration (v/v%)</u> | <u>Pure Substance GHS Classification</u> |
|----------------------------------|-----------------------------------|------------------------------------|--|
| Ethanol | 64-17-5 | 80 % | Flammable liquid – Cat. 2 Eye Dam. – Cat 2 |
| Glycerol | 56-81-5 | 0 - 2 % | N/A |
| Hydrogen Peroxide Concentrate | 7722-84-1 | 0.125 % | Oxidizing Liquid – Cat 1 Acute Toxicity (Oral) – Cat 4 Acute Toxicity (Inhalation) – Cat 4 Skin Corrosion – Cat 1 A |

NOTES ON COMPOSITION INFORMATION:

None.

4. FIRST AID MEASURES

| | |
|---|--|
| <i>Skin Contact:</i> | In the case of skin irritation, wash hands thoroughly with soap and water. If irritation continues, see a physician. |
| <i>Eye Contact:</i> | IF IN EYES: Rinse cautiously with water for several minutes. Remove contact lenses if present and easy to do. Continue rinsing. |
| <i>Inhalation:</i> | Remove victim to fresh air and keep at rest in a position comfortable for breathing. If not breathing, if breathing is irregular or if respiratory arrest occurs, provide artificial respiration or oxygen by trained personnel. It may be dangerous to the person providing aid to give mouth-to-mouth resuscitation. Get medical attention if adverse health effects persist or are severe. If unconscious, place in recovery position and get medical attention immediately. Maintain an open airway. |
| <i>Ingestion:</i> | In case of accidental overdose/over-ingestion, seek medical attention or contact a poison control center immediately. Do not induce vomiting. Dilute by giving 1 or 2 glasses of milk or water. Nothing by mouth if unconscious. Seek medical attention. |
| <i>Most Important Symptoms/Effects:</i> | May cause severe eye irritation. |
| <i>Indication of Immediate Medical Attention and Special Treatment:</i> | If exposure to this product causes adverse effects, seek immediate medical attention. Conditions should be treated symptomatically. |

5. FIRE FIGHTING MEASURES

| | |
|---|---|
| <i>Flash Point:</i> | 18° C |
| <i>Flammable Limits:</i> | No applicable information available. |
| <i>Auto ignition Temperature:</i> | No applicable information available. |
| <i>Explosion Data:</i> | No applicable information available. |
| <i>Suitable Extinguishing Media:</i> | Use dry chemical when fighting fires involving this product. Synthetic or protein foams may be used, but may not be as effective. |
| <i>Special Protective Equipment and</i> | Wear a self-contained breathing apparatus pressure demand (NIOSH |

| | |
|---|---|
| <i>Precautions for Fire Fighters:</i> | approved or equivalent) and full protective gear. |
| <i>Specific Hazards Arising from the Chemical or Mixture:</i> | None. |
| <i>Hazardous Combustion Products:</i> | No applicable information available. |
| <i>Other Information:</i> | <u>See</u> Section 7 for additional information. |

6. ACCIDENTAL RELEASE MEASURES

| | |
|--|---|
| <i>Personal Precautions, Protective Equipment, and Emergency Procedures:</i> | In case of spill, evacuate the area and remove all ignition sources. Wear appropriate personal protective equipment during any cleanup and response activities as described in Section 8. |
| <i>Methods and Materials for Containment and Clean Up:</i> | Dike and contain spill with absorbent materials. |
| <i>Other Instructions:</i> | Do not release this product or waste streams containing this product to water or the environment. In the event of an uncontrolled release of this material, the user should determine if the release is reportable under applicable laws and regulations. |

7. HANDLING AND STORAGE

| | |
|---|---|
| <i>Precautions for Safe Handling and Storage:</i> | <p>Eye-wash stations and emergency showers need to exist in areas where the material is handled, especially areas where loading and unloading operations occur. Wash hands thoroughly after handling and before eating, drinking, or smoking. Keep out of reach of children. Ground all containers when transferring material.</p> <p>Do not contaminate water, food, or feed by storage or disposal. Keep the product in original containers. Store in cool, dry, well ventilated, low fire risk area away from sunlight. Keep containers closed. Store only in approved containers, under approved conditions. Avoid pressure build-up in containers. An automatic water spray device should be immediately available. A spill control and containment plan should be developed. Storage area should not be subject to rapid temperature changes as such changes may cause increased internal pressure. Isolate from toxic materials or substances that may release corrosive, toxic, or flammable fumes on</p> |
|---|---|

| | |
|---|---|
| | reaction. Use only non-sparking tools. Take precautionary measures against electrostatic discharges. To avoid fire or explosion, dissipate static electricity during transfer by grounding and bonding containers and equipment before transferring material. |
| <i>Other Precautions and Information:</i> | None. |

8. EXPOSURE CONTROLS AND PERSONAL PROTECTION

| | |
|--------------------------------|---|
| <i>Eye/Face Protection:</i> | Chemical safety goggles meeting the specifications of ANSI Standard Z87.1 are to be worn whenever there is the possibility of contact with the eyes. Spectacle type safety glasses do not provide satisfactory protection. An eyewash fountain should be readily accessible. Wear plastic face shield in addition to safety goggles where there is a danger of splashing. |
| <i>Protective Gloves:</i> | Wear protective gloves. |
| <i>Protective Clothing:</i> | Wear chemical resistant protective clothing and footwear impervious to the product. |
| <i>Respiratory Protection:</i> | Respiratory protection is not required. Where protection from nuisance levels of vapors are desired, use NIOSH approved respiratory equipment. Respirators should be selected based on the form and concentration of the contaminant in the air and in accordance with OSHA (29 CFR 1910.134). |
| <i>Engineering Controls:</i> | General industry hygiene practice. |
| <i>Air Monitoring:</i> | There is no air monitoring information available for this product. |

EXPOSURE LIMITS AND GUIDELINES

| <u>COMPONENT</u> | <u>OSHA PEL</u> | <u>ACGIH TLV</u> | <u>NIOSH REL</u> | <u>OTHER</u> |
|------------------|------------------------|----------------------------|------------------|--------------|
| Ethanol | 1000 ppm 8 hours (TWA) | 1000 ppm 15 minutes (STEL) | N/A | <u>N/A</u> |

NOTES ON EXPOSURE LIMITS AND GUIDELINES:

None.

9. PHYSICAL AND CHEMICAL PROPERTIES

| | |
|---|---|
| <i>Appearance/Physical State:</i> | Clear, Colorless |
| <i>Odor:</i> | No applicable information available |
| <i>Odor Threshold:</i> | No applicable information available |
| <i>pH:</i> | 5.0 – 9.0 |
| <i>Freezing Point:</i> | No applicable information available |
| <i>Pour Point:</i> | No applicable information available |
| <i>Boiling Point:</i> | No applicable information available |
| <i>Flash Point:</i> | 18° C |
| <i>Evaporation Rate:</i> | No applicable information available |
| <i>Flammability:</i> | Flammable |
| <i>Flammability Limits:</i> | No applicable information available |
| <i>Vapor Pressure:</i> | No applicable information available |
| <i>Vapor Density:</i> | No applicable information available |
| <i>Relative Density/Specific Gravity:</i> | 0.844 +/- 0.030 |
| <i>Solubility in Water:</i> | No applicable information available |
| <i>Octanol/Water Partition Coefficient:</i> | No applicable information available |
| <i>Auto-ignition Temperature:</i> | No applicable information available |
| <i>Decomposition Temperature:</i> | No applicable information available |
| <i>Viscosity:</i> | Approx. 275 cp @ 20 RPM on an s62 spindle |
| <i>Color (Gardner):</i> | No applicable information available |
| <i>Refractive Index:</i> | No applicable information available |

10. STABILITY AND REACTIVITY

| | |
|--|---|
| <i>Reactivity:</i> | There are no specific reactivity hazards. |
| <i>Chemical Stability:</i> | Stable under normal conditions. |
| <i>Possibility of Hazardous Reactions:</i> | Hazardous reactions are not expected under normal conditions. |
| <i>Conditions to Avoid:</i> | Avoid heat, fire, open flames, direct light, and ignition sources. |
| <i>Incompatible Materials:</i> | No applicable information available |
| <i>Hazardous Decomposition Products:</i> | Hazardous decomposition or byproducts are not expected under normal conditions. |
| <i>Hazardous Polymerization:</i> | This product will not undergo hazardous polymerization. |
| <i>Other Information:</i> | <u>See</u> Section 7 for further information. |

11. TOXICOLOGICAL INFORMATION

| | |
|---|---|
| <i>Routes of Exposure:</i> | Exposure to this product (including its vapors) may occur through the eyes, skin, ingestion, and inhalation. |
| <i>Acute Toxicological Data:</i> | There are no acute toxicological data on this product. Based on the data of the individual components, the acute toxicity of this product is expected to be low. |
| <i>Eye Irritation Data:</i> | There are no eye irritation data on this product. Based on the data of the individual components, this product is expected to cause eye irritation. |
| <i>Skin Irritation/Sensitization/Absorption Data:</i> | There are no skin irritation data on this product. Based on the data of the individual components, this product is not expected to cause skin irritation. Absorption through the skin is not expected to occur. This product is not expected to cause skin sensitization. |
| <i>Sub Chronic Toxicity Data:</i> | There are no subchronic toxicity data on this product. Based on the data of the individual components, the subchronic toxicity of this product is expected to low. |
| <i>Reproductive Toxicity Data:</i> | There are no reproductive toxicity data on this product. Based on the data of the individual components, this product is not expected to present a reproductive toxicity hazard. |
| <i>Teratogenicity (birth defects)</i> | There are no teratogenicity data on this product. Based on the data |

| | |
|--------------------------------------|---|
| <i>Data:</i> | of the individual components, this product is not expected to present a teratogenicity hazard. |
| <i>Mutagenicity Data:</i> | There are no mutagenicity data on this product. Based on the data of the individual components, this product is not expected to present a mutagenicity hazard. |
| <i>Chronic/Carcinogenicity Data:</i> | There are no chronic effects or carcinogenicity data on this product. Based on the data of the individual components, this product is not expected to present a chronic or carcinogenicity hazard. <ul style="list-style-type: none"> · NTP: Not listed · IARC: Not listed · OSHA: Not listed |

12. ECOLOGICAL INFORMATION

| | |
|---------------------------------------|---|
| <i>Ecotoxicity Data:</i> | There are no ecotoxicity data on this product. |
| <i>Persistence and Degradability:</i> | There are no persistence or degradability data on this product. |
| <i>Bioaccumulative Potential:</i> | There are no bioaccumulation data on this product. |
| <i>Mobility in Soil:</i> | There are no soil mobility data on this product. |
| <i>Other Adverse Effects:</i> | No applicable information available. |

13. DISPOSAL CONSIDERATIONS

| | |
|-------------------------------|--|
| <i>Waste Classification:</i> | Dispose as a solid waste in conformance with all federal, state, and local regulations. All recovered material must be packaged, labeled, transported, and disposed in conformance with applicable laws and regulations. It is the responsibility of the user to determine at the time of disposal whether a material containing the product or derived from the product should be classified as a solid or hazardous waste. |
| <i>U.S. EPA Waste Number:</i> | No applicable information available |
| <i>Special Instructions:</i> | None. |

| 14. TRANSPORT INFORMATION | |
|--|--|
| <u>U.S. DOT</u> | |
| <i>UN Number:</i> | 1993 |
| <i>Hazard Class:</i> | 3 |
| <i>Packing Group:</i> | II |
| <i>Proper Shipping Name:</i> | Flammable liquids n.o.s (Contains ethanol) |
| <i>Label:</i> | Flammable |
| <i>Marine Pollutant:</i> | No |
| <i>Additional Information/Remarks:</i> | None |
| <u>IMDG</u> | |
| <i>UN Number:</i> | 1993 |
| <i>Hazard Class:</i> | 3 |
| <i>Packing Group:</i> | II |
| <i>Proper Shipping Name:</i> | Flammable liquids n.o.s (Contains ethanol) |
| <i>Label:</i> | Flammable |
| <i>Marine Pollutant:</i> | No |
| <i>Additional Information/Remarks:</i> | None |
| <u>ICAO/IATA</u> | |
| <i>UN Number:</i> | 1993 |
| <i>Hazard Class:</i> | 3 |
| <i>Packing Group:</i> | II |
| <i>Proper Shipping Name:</i> | Flammable liquids n.o.s (Contains ethanol) |

| | |
|--|-----------|
| <i>Label:</i> | Flammable |
| <i>Marine Pollutant:</i> | No |
| <i>Additional Information/Remarks:</i> | None |

15. REGULATORY INFORMATION

| | |
|--------------------------------------|--|
| <i>TSCA Inventory Status:</i> | <u>All intentional substances contained in this product are listed on the Toxic Substances Control Act (TSCA) Chemical Substance Inventory. This product contains no substances specifically regulated under TSCA.</u> |
| <i>Waste Classification:</i> | Dispose as a solid waste in conformance with all federal, state, and local regulations. All recovered material must be packaged, labeled, transported, and disposed in conformance with applicable laws and regulations. It is the responsibility of the user to determine at the time of disposal whether a material containing the product or derived from the product should be classified as a solid or hazardous waste. |
| <i>Canadian DSL Status:</i> | All components are listed on the Canadian DSL. |
| <i>EPCRA/SARA III:</i> | This product contains no toxic chemicals at or above the <i>de-minimis</i> threshold subject to the reporting requirements of Section 313 of Title III of the Superfund Amendments and Reauthorization Act of 1986 and 40 CFR 372. |
| <i>California Proposition 65:</i> | This product contains no chemicals known to the State of California to cause cancer, birth defects, or other reproductive harm. |
| <i>U. S State Right to Know Act:</i> | <u>Ethanol:</u> Pennsylvania. <u>Glycerol:</u> New Jersey. |

16. OTHER INFORMATION

| | |
|--------------------|---|
| <i>Label Text:</i> | <u>See Section 2 and product labeling.</u> |
| <i>Disclaimer:</i> | The information provided in this Safety Data Sheet is correct to the best of our knowledge, information, and belief at the date of its publication. The information given is designed only as guidance for safe handling, use, processing, storage, transportation, disposal, and |

| | |
|-----------------------------------|---|
| | release and is not to be considered a warranty or quality specification. The information relates only to the specific material designated and may not be valid for such material used in combination with any other materials or in any process, unless specified in the text |
| <i>Previous SDS Version Date:</i> | April 13, 2020 |